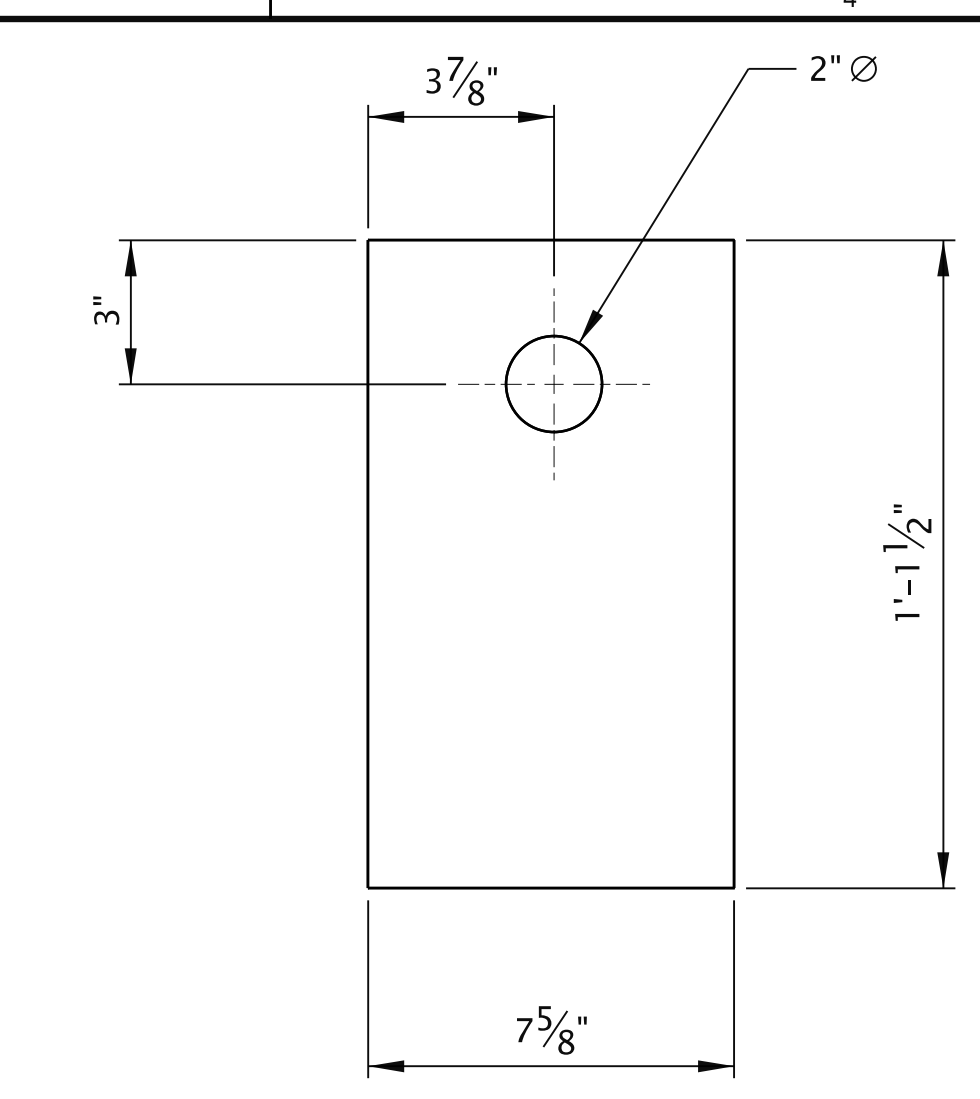
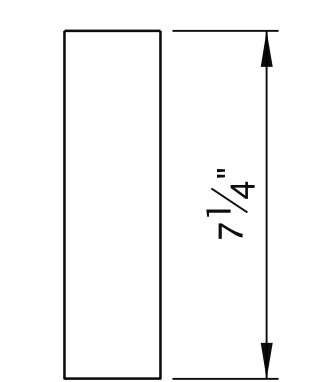


PERF PLATE 1/4 INCH UHMW
1/4 INCH STAGGERED HOLE
MINIMUM 50% OPEN AREA

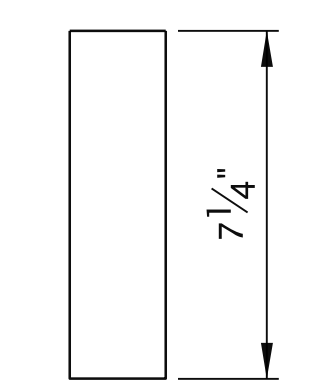
UHMW PERFORATED PLATE
SCALE: 3" = 1'-0"
(2 REQ.)
MIRRORED ABOUT CENTERLINE



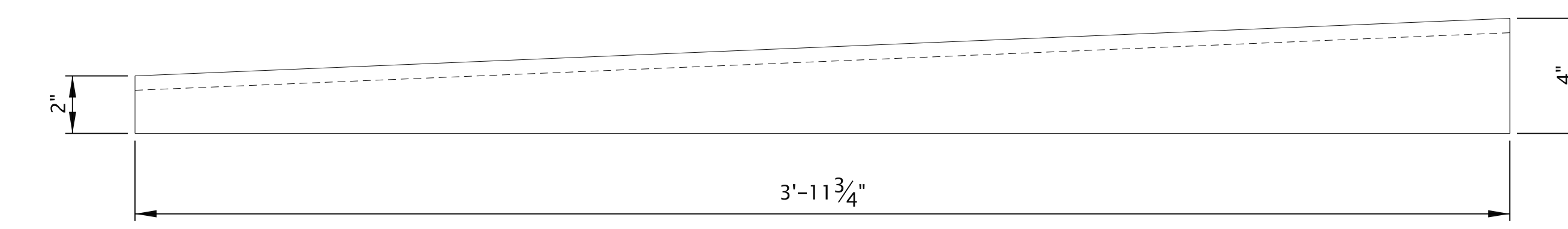
SLIDE DOOR
SCALE: 3" = 1'-0"
(2 REQ.)



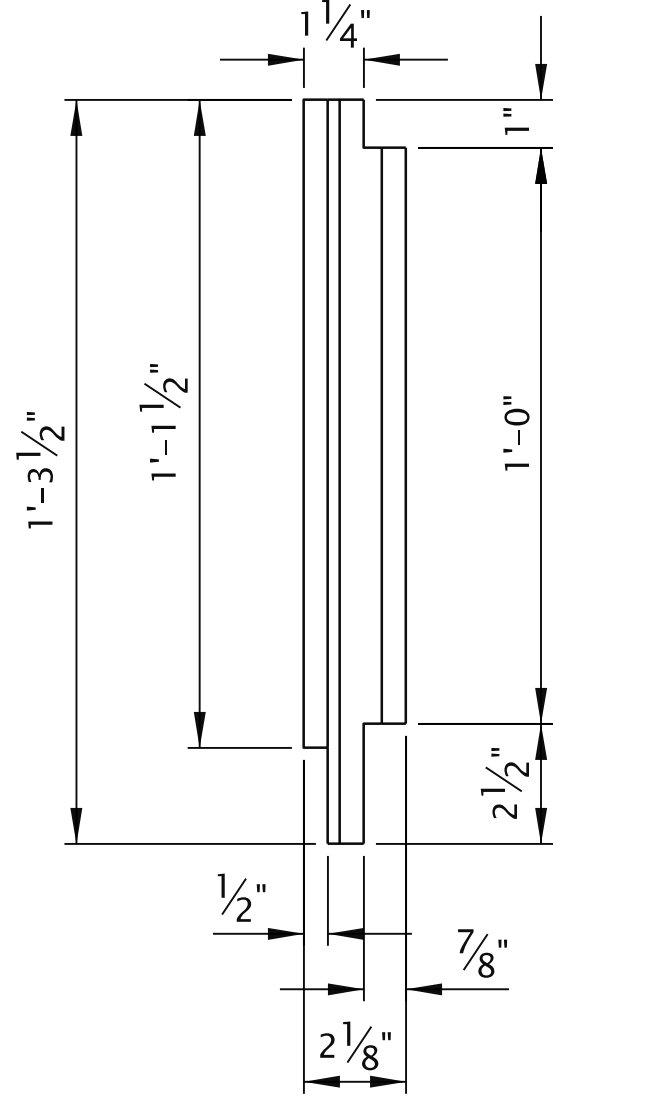
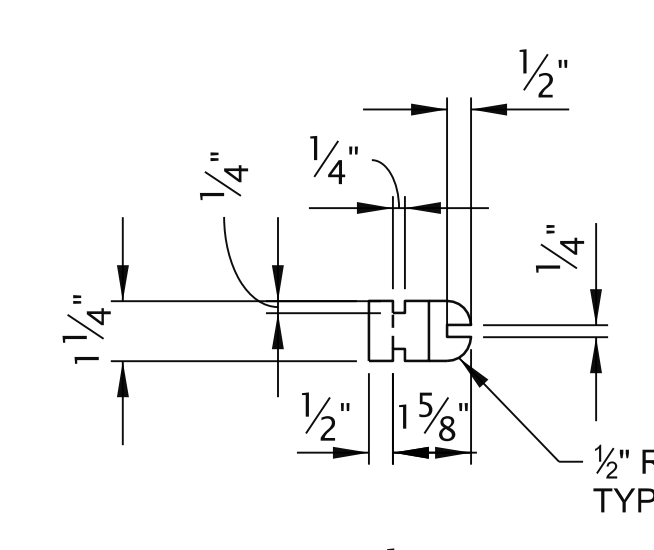
MIDDLE INTERNAL SUPPORT
SCALE: 3" = 1'-0"
(2 REQ.)



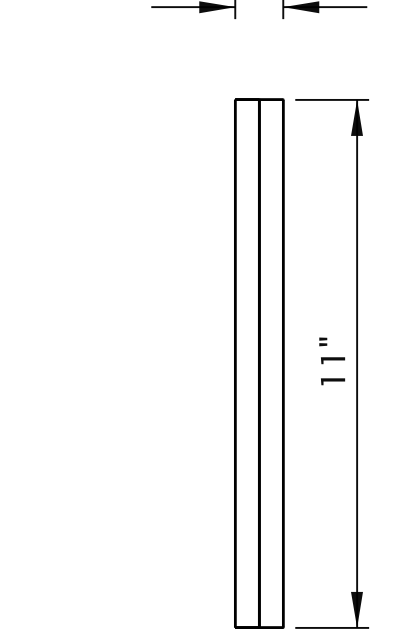
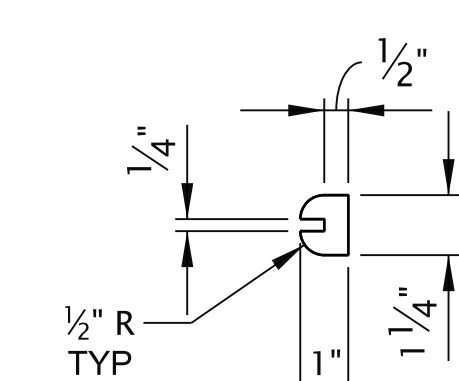
REAR INTERNAL SUPPORT
SCALE: 3" = 1'-0"
(2 REQ.)



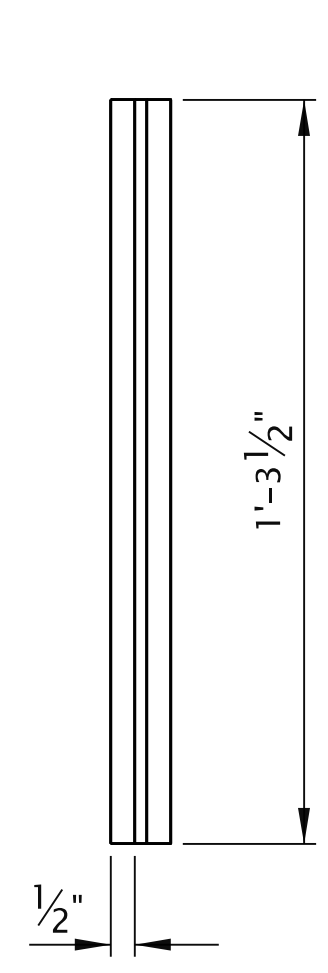
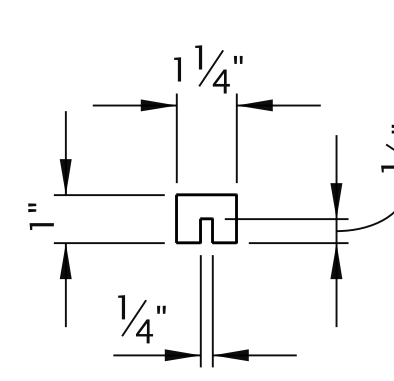
CENTER DIVIDER WALL BASE / PERF PLATE SUPPORT
SCALE: 3" = 1'-0"



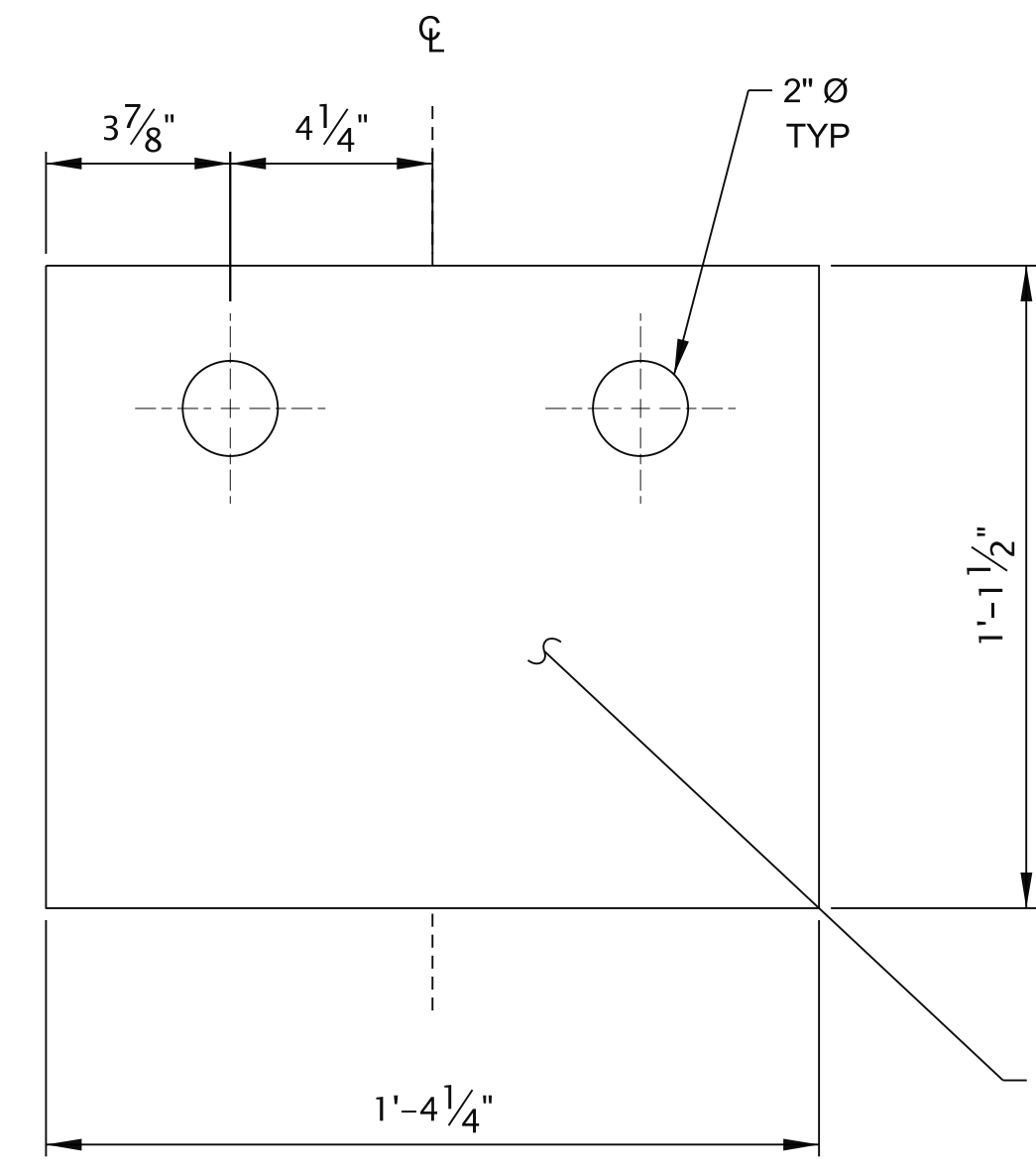
FRONT CENTER DIVIDER WALL AND DOOR SLOT GUIDE
SCALE: 3" = 1'-0"



REAR CENTER DIVIDER WALL GUIDE
SCALE: 3" = 1'-0"

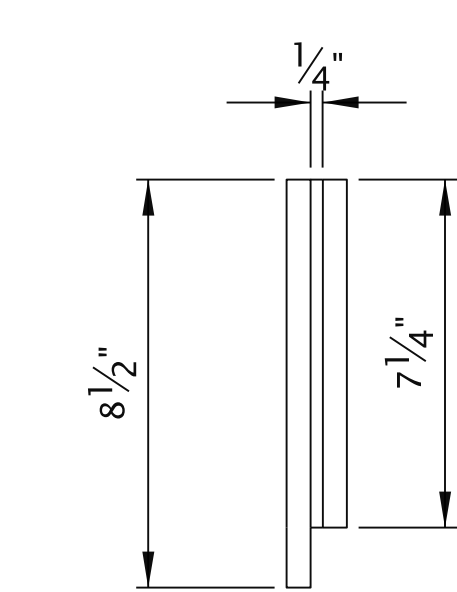


SLIDE DOOR GUIDE
SCALE: 3" = 1'-0"
(2 REQ.)

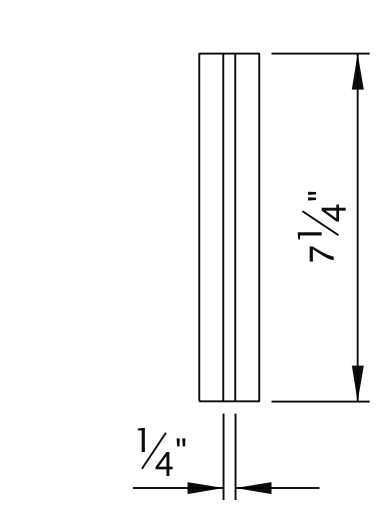
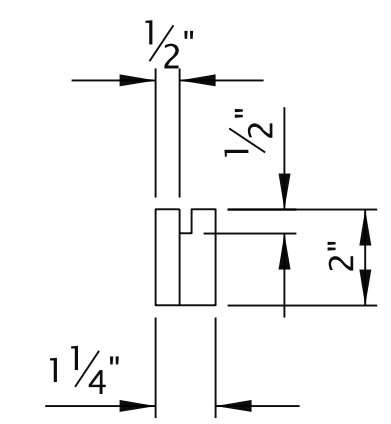


OPTIONAL SLIDE DOOR
SCALE: 3" = 1'-0"

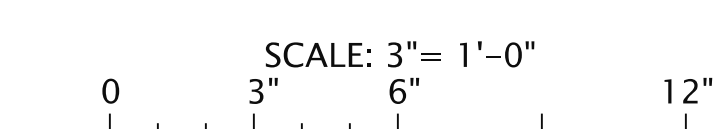
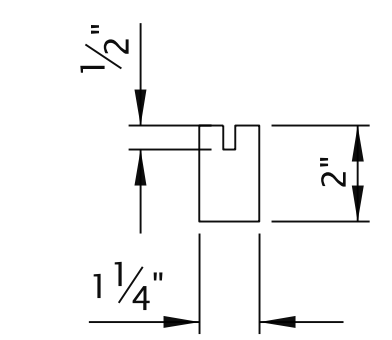
OPTIONAL FULL WIDTH DOOR FOR USE WHEN FRONT CENTER DIVIDER WALL AND DOOR SLOT GUIDE IS REMOVED



LEFT SIDE SLIDE DOOR BASE
SCALE: 3" = 1'-0"



RIGHT SIDE SLIDE DOOR BASE
SCALE: 3" = 1'-0"



NOTES:

- BOXES FABRICATED FROM 1/4 INCH ALUMINUM
- ALL GUIDES AND INTERNAL SUPPORTS FABRICATED FROM UHMW
- DOORS AND CENTER DIVIDER ARE 3/16 UHMW



DATE: 5/21/2012	DESIGNED BY: P.E. GREGG	REVIEWED BY: GREGG	DATE: 5/21/2012
SUBMITTED BY: JAMES D. CALNON P.E.	PROJECT NO.: 107-M-004	CONTRACT NO.:	MARK
FILE NAME: BDF1.107-M-004.dgn	DESIGNER: GREGG	DATE: 5/21/2012	DESCRIPTION:

U.S. ARMY CORPS OF ENGINEERS
PORTLAND DISTRICT
PORTLAND, OR

BONNEVILLE LOCK AND DAM
ADULT FISH FACILITY
IMPROVEMENTS
OBSERVATION BOX DETAILS II

SHEET IDENTIFICATION
M-004
SHEET 4 OF 5